

570-590W Mono

144 Half-Cell Layout BIFACIAL DG

M10 N-TYPE Cell



N-TYPE TOP CON Cell Technology



SMBB Half Cut Cell Technology



Bifacial Cell Module Technologies



Excellent Anti-PID Low LID Performance



Less Hot Spot Shading Effects



Higher Power Output Lower BOS & LCOE

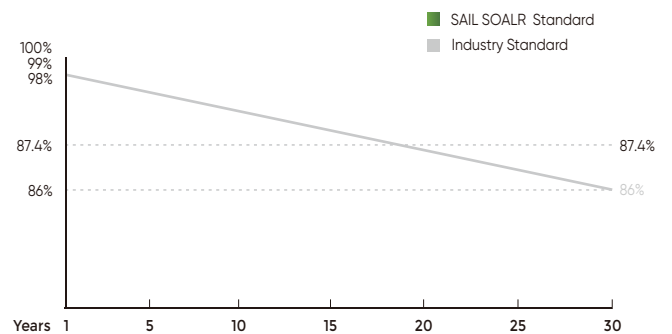
- ISO9001:2015QMS
- ISO14001:2015 EMS
- ISO45001:2018 OHSMS
- IEC61215/IEC61730 Standard Quality
- IEC61701/IEC62716 Salt/Mist/Ammonia Tests



30
years
POWER WARRANTY

15
years
PRODUCT WARRANTY

Linear Performance Warranty



SAIL SOLAR Mono I 570-590W BIFACIAL DG

ELECTRICAL PARAMETERS

POWER CLASS	SAS570N-144M10	SAS575N-144M10	SAS580N-144M10	SAS585N-144M10	SAS590N-144M10
	STC	STC	STC	STC	STC
Maximum power (Pmax)	570W	575W	580W	585W	590W
Open Circuit Voltage (Voc)	51.41V	51.55V	51.68V	51.81V	51.94V
Short Circuit Current (Isc)	14.15A	14.22A	14.29A	14.36A	14.43A
Voltage at Maximum power (Vmpp)	42.41V	42.56V	42.71V	42.86V	43.00V
Current Maximum Power (Impp)	13.44A	13.51A	13.58A	13.65A	13.72A
MODULE EFFICIENCY (%)	22.07%	22.26%	22.45%	22.65%	22.84%

STC: Irradiance 1000W/m², cell temperature 25°C, AM1.5G

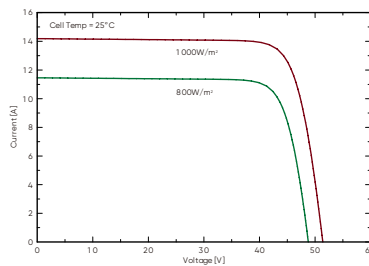
BIFACIAL OUTPUT -REAR SIDE POWER GAIN

		SAS570N-144M10	SAS575N-144M10	SAS580N-144M10	SAS585N-144M10	SAS590N-144M10
5%	Maximum power (Pmax)	599W	604W	609W	614W	620W
	Module Efficiency STC (%)	23.17%	23.37%	23.57%	23.78%	23.98%
15%	Maximum power (Pmax)	656W	661W	667W	673W	679W
	Module Efficiency STC (%)	25.37%	25.60%	25.82%	26.04%	26.27%
25%	Maximum Power (Pmax)	713W	719W	725W	731W	738W
	Module Efficiency STC (%)	27.58%	27.82%	28.07%	28.31%	28.55%

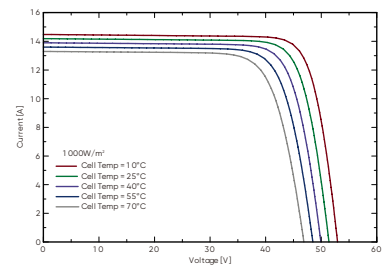
PACKING CONFIGURATION

Container	20'GP	40'HQ
Pieces per pallet	36	36
Pallets per container	5	20
Pieces per container	180	720

I-V CURVE

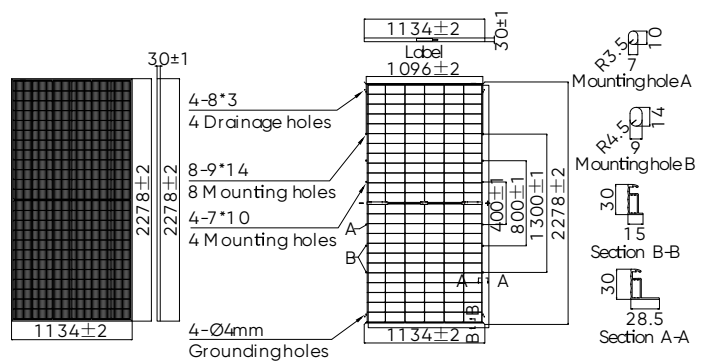


SAS575N-144M10 I-V



MECHANICAL CHARACTERISTICS

Solar Cells	N-type Mono
No. of Cells	144 (6x24)
Dimensions	2278 x 1134 x 30mm
Weight	31.5kg
Front Glass	3.2mm coated tempered glass
Frame	Anodized aluminium alloy (reinforced high-load optional)
Junction Box	Ip68 rated (3 by pass diodes)
	4.0mm ²
Output Cables	250mm (+) / 350mm (-)
	Length can be customized
Connectors	Mc4 compatible
Mechanical load test	Front 5400Pa / Rear 2400Pa



OPERATING CHARACTERISTICS

Operating Module Temperature	-40°C to +85°C
Maximum System Voltage	1500 DC (IEC)
Maximum Series Fuse Rating	30A
Power Tolerance	0/+5W

TEMPERATURE CHARACTERISTICS

Nominal Operating Temperature (NMOT)	45±2°C
Temperature Coefficient of Pmax	-0.29%/°C
Temperature Coefficient of Pmax	-0.25%/°C
Temperature Coefficient of Pmax	+0.045%/°C