

# 520-540W Mono

## 132 Half-Cell Layout BIFACIAL DG

### M10 N-TYPE Cell



N-TYPE TOP CON Cell Technology



SMBB Half Cut Cell Technology



Bifacial Cell Module Technologies



Excellent Anti-PID Low LID Performance



Less Hot Spot Shading Effects



Higher Power Output Lower BOS & LCOE

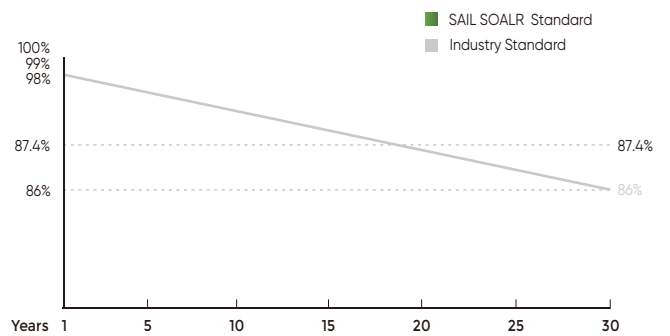
- ISO9001:2015QMS
- ISO14001:2015 EMS
- ISO45001:2018 OHSMS
- IEC61215/IEC61730 Standard Quality
- IEC61701/IEC62716 Salt/Mist/Ammonia Tests



**30**  
years  
POWER WARRANTY

**15**  
years  
PRODUCT WARRANTY

### Linear Performance Warranty



# SAIL SOLAR Mono I 520-540W BIFACIAL DG

## ELECTRICAL PARAMETERS

POWER CLASS	SAS520N-132M10	SAS525N-132M10	SAS530N-132M10	SAS535N-132M10	SAS540N-132M10
	STC	STC	STC	STC	STC
Maximum power (Pmax)	520W	525W	530W	535W	540W
Open Circuit Voltage (Voc)	47.08V	47.24V	47.41V	47.56V	47.72V
Short Circuit Current (Isc)	14.12A	14.19A	14.26A	14.33A	14.40A
Voltage at Maximum power (Vmp)	38.78V	38.95V	39.11V	39.28V	39.44V
Current Maximum Power (Imp)	13.41A	13.48A	13.55A	13.62A	13.69A
MODULE EFFICIENCY (%)	21.90%	22.11%	22.32%	22.53%	22.74%

STC: Irradiance 1000W/m<sup>2</sup>, cell temperature 25°C, AM1.5G

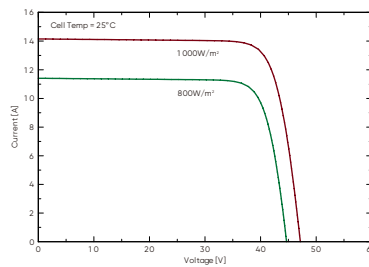
## BIFACIAL OUTPUT -REAR SIDE POWER GAIN

5%	Maximum power (Pmax)	546W	551W	557W	562W	567W
	Module Efficiency STC (%)	22.99%	23.21%	23.44%	23.66%	23.88%
15%	Maximum power (Pmax)	598W	604W	610W	615W	621W
	Module Efficiency STC (%)	25.18%	25.43%	25.67%	25.91%	26.15%
25%	Maximum Power (Pmax)	650W	656W	663W	669W	675W
	Module Efficiency STC (%)	27.37%	27.64%	27.90%	28.16%	28.43%

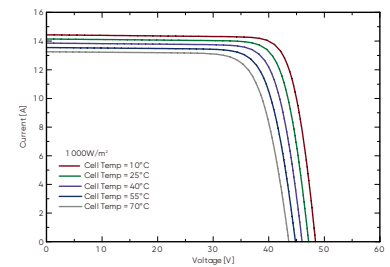
## PACKING CONFIGURATION

Container	20'GP	40'HQ
Pieces per pallet	36	36
Pallets per container	5	22
Pieces per container	180	792

## I-V CURVE

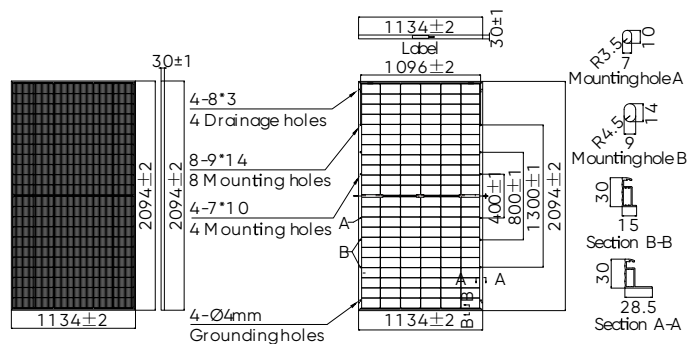


## SAS525N-132M10 I-V



## MECHANICAL CHARACTERISTICS

Solar Cells	N-type Mono
No. of Cells	132 (6x22)
Dimensions	2094 x 1134 x 30mm
Weight	28.5kg
Front Glass	2.0mm coated semi-tempered glass
Frame	Anodized aluminium alloy (reinforced high-load optional)
Junction Box	Ip68 rated (3 by pass diodes)
	4.0mm <sup>2</sup>
Output Cables	250mm (+) / 350mm (-)
	Length can be customized
Connectors	Mc4 compatible
Mechanical load test	Front 5400Pa / Rear 2400Pa



## OPERATING CHARACTERISTICS

Operating Module Temperature	-40°C to +85°C
Maximum System Voltage	1500 DC (IEC)
Maximum Series Fuse Rating	30A
Power Tolerance	0/+5W

## TEMPERATURE CHARACTERISTICS

Nominal Operating Temperature (NMOT)	45±2°C
Temperature Coefficient of Pmax	-0.29%/°C
Temperature Coefficient of Pmax	-0.25%/°C
Temperature Coefficient of Pmax	+0.045%/°C