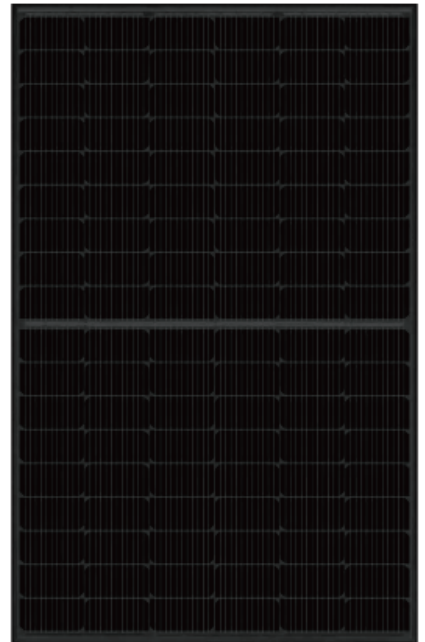


# 420-440W Mono

## 108 Half-Cell Layout FULL BLACK BIFACIAL DG

### M10 N-TYPE Cell



N-TYPE TOP CON Cell Technology



SMBB Half Cut Cell Technology



Bifacial Cell Module Technologies



Excellent Anti-PID Low LID Performance



Less Hot Spot Shading Effects



Higher Power Output Lower BOS & LCOE

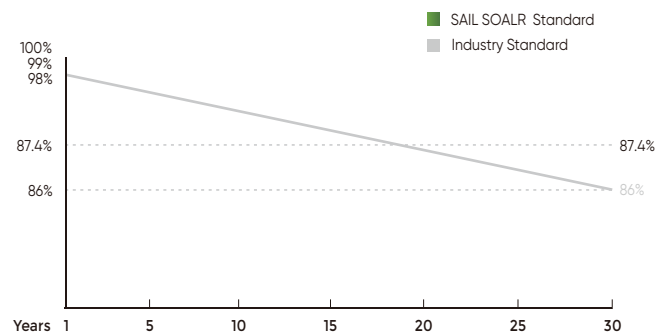
- ISO9001:2015QMS
- ISO14001:2015 EMS
- ISO45001:2018 OHSMS
- IEC61215/IEC61730 Standard Quality
- IEC61701/IEC62716 Salt/Mist/Ammonia Tests



**30**  
years  
POWER WARRANTY

**15**  
years  
PRODUCT WARRANTY

### Linear Performance Warranty



# SAIL SOLAR Mono I 420-440W FULL BLACK BIFACIAL DG

## ELECTRICAL PARAMETERS

| POWER CLASS                     | SAS420N-108M10 | SAS425N-108M10 | SAS430N-108M10 | SAS435N-108M10 | SAS440N-108M10 |
|---------------------------------|----------------|----------------|----------------|----------------|----------------|
|                                 | STC            | STC            | STC            | STC            | STC            |
| Maximum power (Pmax)            | 420W           | 425W           | 430W           | 435W           | 440W           |
| Open Circuit Voltage (Voc)      | 38.49V         | 38.73V         | 38.96V         | 39.19V         | 39.42V         |
| Short Circuit Current (Isc)     | 13.99A         | 14.06A         | 14.13A         | 14.20A         | 14.27A         |
| Voltage at Maximum power (Vmpp) | 31.63V         | 31.84V         | 32.04V         | 32.25V         | 32.45V         |
| Current Maximum Power (Impp)    | 13.28A         | 13.35A         | 13.42A         | 13.49A         | 13.56A         |
| MODULE EFFICIENCY (%)           | 21.51%         | 21.76%         | 22.02%         | 22.28%         | 22.53%         |

STC: Irradiance 1000W/m<sup>2</sup>, cell temperature 25°C, AM1.5G

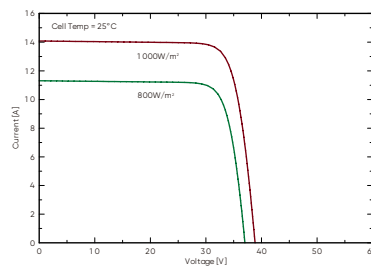
## BIFACIAL OUTPUT -REAR SIDE POWER GAIN

|     |                           |        |        |        |        |        |
|-----|---------------------------|--------|--------|--------|--------|--------|
| 5%  | Maximum power (Pmax)      | 441W   | 446W   | 452W   | 457W   | 462W   |
|     | Module Efficiency STC (%) | 22.58% | 22.85% | 23.12% | 23.39% | 23.66% |
| 15% | Maximum power (Pmax)      | 483W   | 489W   | 495W   | 500W   | 506W   |
|     | Module Efficiency STC (%) | 24.73% | 25.03% | 25.32% | 25.62% | 25.91% |
| 25% | Maximum Power (Pmax)      | 525W   | 531W   | 538W   | 544W   | 550W   |
|     | Module Efficiency STC (%) | 26.89% | 27.21% | 27.53% | 27.85% | 28.17% |

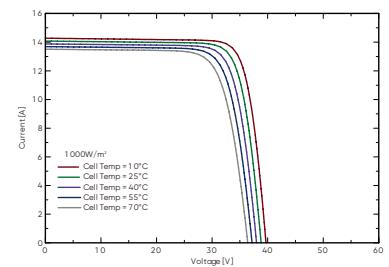
## PACKING CONFIGURATION

|                       |       |       |
|-----------------------|-------|-------|
| Container             | 20'GP | 40'HQ |
| Pieces per pallet     | 36    | 36    |
| Pallets per container | 6     | 26    |
| Pieces per container  | 216   | 936   |

## I-V CURVE

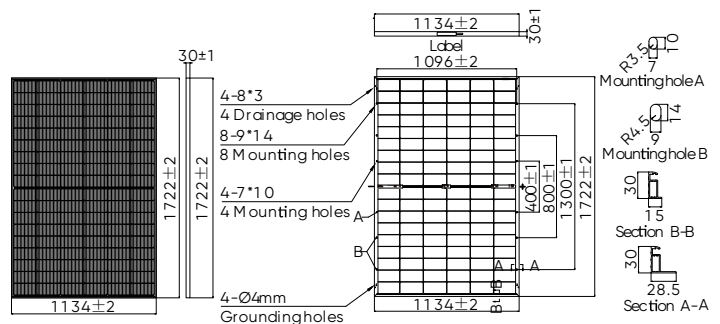


## SAS430ND-108M10/I-V



## MECHANICAL CHARACTERISTICS

|                      |  |
|----------------------|--|
| Solar Cells          | N-type Mono  |
| No. of Cells         | 108 (6x18)   |
| Dimensions           | 1722 x 1134 x 30mm                                       |
| Weight               | 23.5kg   |
| Front Glass          | 3.2mm coated tempered glass                              |
| Frame                | Anodized aluminium alloy (reinforced high-load optional) |
| Junction Box         | Ip68 rated (3 by pass diodes)                            |
|                      | 4.0mm <sup>2</sup>                                       |
| Output Cables        | 250mm (+) / 350mm (-)                                    |
|                      | Length can be customized                                 |
| Connectors           | Mc4 compatible   |
| Mechanical load test | Front 5400Pa / Rear 2400Pa                               |



## OPERATING CHARACTERISTICS

|                              |                |
|------------------------------|----------------|
| Operating Module Temperature | -40°C to +85°C |
| Maximum System Voltage       | 1500 DC (IEC)  |
| Maximum Series Fuse Rating   | 30A            |
| Power Tolerance              | 0/+5W          |

## TEMPERATURE CHARACTERISTICS

|                                      |            |
|--------------------------------------|------------|
| Nominal Operating Temperature (NMOT) | 45±2°C     |
| Temperature Coefficient of Pmax      | -0.29%/°C  |
| Temperature Coefficient of Pmax      | -0.25%/°C  |
| Temperature Coefficient of Pmax      | +0.045%/°C |